



powered by
webOS Hub

Elegance in perfection

The SL line combines modern design and innovative technology: a slim housing made of high-quality materials and the discreetly illuminated shaft add stylish accents. Without a visible IR eye, the look is clean – perfect for the highest aesthetic standards.

DVD enjoyment anytime

Elegantly integrated slide-in DVD player: play films, series and music directly – without any external devices. Built into the housing to save space, discreet in design and ready for use at any time. Ideal for flexible entertainment enjoyment on the go.

webOS Hub (next generation)

Experience television in a whole new way – with the latest generation of webOS Hub. Enjoy smart premium features such as PVR recording, timeshift, Apple AirPlay 2 and Matter support. State-of-the-art entertainment, perfectly connected – in outstanding alphatronics quality.

Apple AirPlay & HomeKit

With alphatronics, you can unleash the full potential of your Apple ecosystem. Stream content in the best quality with Apple AirPlay 2 and conveniently control your smart home via Apple HomeKit. For maximum comfort and first-class entertainment.

| MODEL | | SL27DW | |
|------------------------------|--|----------------------------------|---------|
| IMAGE | Screen size | 27" / 68.5 cm | |
| | Type of display | LED wide screen display | |
| | Picture format (widescreen) | 16:9 Widescreen | |
| | Viewing angle | 178° (H) / 178° (V) | |
| | Resolution | 1920 x 1080 / Full-HD | |
| | Contrast ratio | 1000:1 | |
| | Brightness value | 250 cd/m ² | |
| | Response time | < 5 ms | |
| | Image modes | 6 | |
| | alphatronics CIS (Color Improvement System) | • | |
| | SOUND | Music output (RMS) | 2 x 5 W |
| Integrated speaker | | • | |
| Stereo sound | | • | |
| alphatronicsAUDIO+ | | - | |
| Sound modes | | 5 | |
| BLUETOOTH® | Bluetooth® version | 5.0 | |
| | Bluetooth® range | 30 m | |
| | Bluetooth® surround | • | |
| | Playback direction (transmitter & receiver) | • | |
| RECEPTION | Integrated triple tuner (DVB-S/S2 + DVB-T/T2 + DVB-C) | • | |
| | Video encoding | MPEG-2 / MPEG-4 | |
| | HEVC standards | H.264 / H.265 | |
| RECEPTION (SAT) | CI+ module slot | • / Version 1.4 | |
| | HbbTV | • | |
| | Automatic station scan | • | |
| | Country-specific channel lists | • | |
| | Fast scan | • | |
| | LCN (Logical Channel Numbering) | • | |
| | Electronic Program Guide (EPG) | • | |
| | Signal quality indication (DVB-S/S2) | • | |
| | Teletext (TOP system) | • | |
| | PROGRAM MEMORY | Favorite list | • |
| | | max. stations: DVB-T/C | 500 |
| | | max. stations: DVB-S2 | 4000 |
| | PVR | PVR function unlocked | • |
| Timeshift | | • | |
| EPG / Timer recording | | • / • | |
| Integrated hard disk storage | | - | |
| Supported storage (via SSD) | | max. 1 TB | |
| PLAYBACK | Integrated DVD player | • | |
| | DVD formats (CD, DVD, VCD, MP3, DVD-R, DVD-RW, DivX, JPEG) | • | |
| | Integrated media player | • | |
| PORTS | F-connection (SAT) | • | |
| | IEC connector (antenna) | • | |
| | HDMI™ socket | 2x | |
| | HDMI™: ARC / CEC support | • / • | |
| | AV IN / AV OUT | • / - | |
| | Headphone output (3.5 mm) | • | |
| | Toslink / SPDIF (Optical) | • | |
| | RCA IN (Audio/Video) | - | |
| | Digital Coaxial OUT | - | |
| | USB socket (2.0 standard) / Output (mA) | 2x / 1A (max.) | |
| | NETWORK | Dual band WiFi (2.4 GHz / 5 GHz) | • / • |
| External Wifi antenna | | • | |
| RJ45 (LAN) | | • | |
| SMART | SMART platform | webOS Hub 2.0S | |
| | Netrange | - | |
| | APP Store | Content Store | |

Television on your schedule

With PVR recording and timeshift, you can enjoy maximum freedom: save your favourite programmes, pause live TV, rewind or fast forward. This allows you to enjoy television flexibly, conveniently and entirely according to your wishes - ready whenever you are.

Perfect picture

Enjoy the highest picture quality with an ultra-wide 178° viewing angle, pixel error class 0 and a matt, glare-free surface. Whether in sunlight or shade, you can always enjoy a flawless, brilliant TV picture for perfect viewing pleasure.

Experience that convinces

Every alphatronics TV embodies 25 years of experience and innovative strength. With the 'German Quality - Since 1999' seal, our devices stand for exceptional reliability, state-of-the-art technology and the highest quality standards - entertainment you can trust.

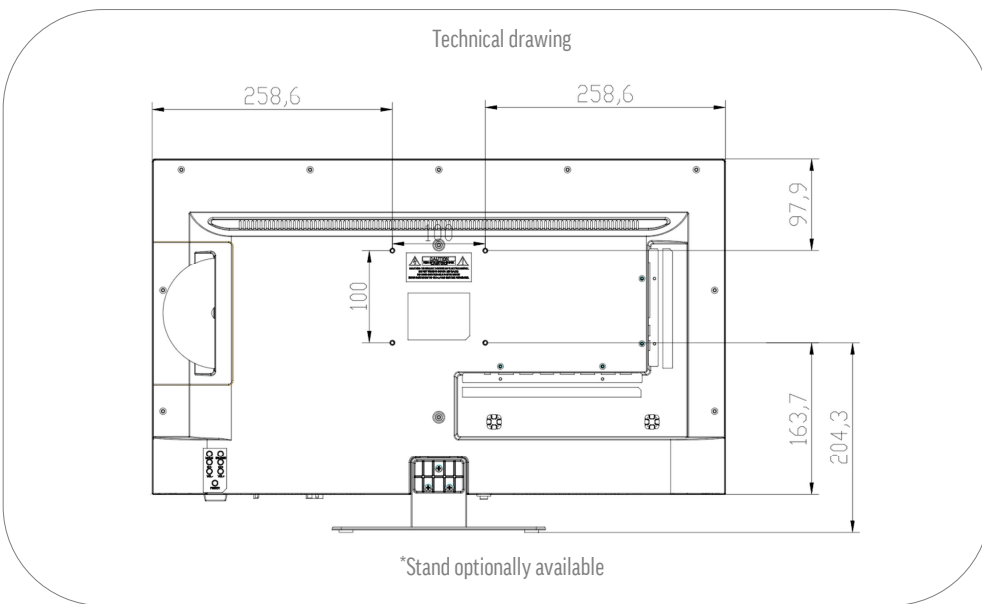
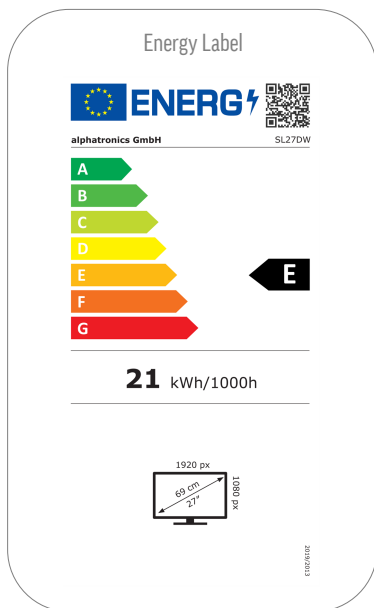
Built for extremes

alphatronics TVs are made for every extreme: rigorous vibration and climate testing guarantees reliable performance in the freezing cold of the North Cape or the scorching heat of the desert. So you can enjoy perfect performance at all times - anywhere and under any conditions.

| MODEL | SL27DW | |
|--------------|--|--|
| UPDATE | OTA (Over The Air) update | • |
| | Manual update via USB | - |
| POWER SUPPLY | Input voltage | 10.5 - 30 V DC |
| | On/off switch | • |
| | Power consumption kWh/1000h | 21 |
| | Power consumption standby | < 0.5 W |
| | Energy efficiency class | E |
| | EPREL registration number | 1777695 |
| FEATURES | Sleep timer | • |
| | Multilingual OSD menu | • |
| | Parental control | • |
| | LG Channels / LG Fitness | •/• |
| | Smart Home: Matter IoT | • |
| | Apple AirPlay / HomeKit | •/• |
| | Corrosion protected electronics | • |
| PROTECTION | Overvoltage protection | • |
| | Reverse polarity protection | • |
| | Repairability Index (France) |  6,5 INDICE DE RÉPARABILITÉ |
| GENERAL | Dimensions with base (W x H x D) | 617 x 402 x 140 mm |
| | Dimensions without base (W x H x D) | 617 x 361 x 45 mm |
| | Weight (with/without base in kg) | 4.20 kg / 4.00 kg |
| | Housing color | black brushed |
| | VESA standard | 100 x 100 mm |
| APPROVALS | CE, UKCA, ECE-R10 (E24*10R06/03*5337*02) | |
| EAN CODE | Product ID | SL27DW |
| | Internal item number | 990974 |
| | EAN | 4260037134994 |

ACCESSORIES

TV set, remote control, DVD remote control, DVB-T2 aerial (AN5), 12 cigarette lighter cable (ProCar), mounting accessories, operating instructions | Note! The included accessories may vary slightly depending on the region, dealer or equipment variant.



LEGAL INFORMATION

webOS Hub and ThinQ are trademarks of LG Electronics Inc. | Google, YouTube, other marks are trademarks of Google LLC. | Apple, AirPlay, Apple Home and HomeKit are trademarks of Apple Inc. registered in the U.S. and other countries and regions. | The Bluetooth® word mark and logos are registered trademarks owned by Bluetooth SIG, Inc. and any use of such marks by alphatronics is under license. | The terms HDMI, HDMI High-Definition Multimedia Interface, HDMI trade dress and the HDMI Logos are trademarks or registered trademarks of HDMI Licensing Administrator, Inc. | Accessories may vary depending on the region, dealer or trim level. | Streaming services and apps are subject to change or discontinuation without notice. | Streaming service availability varies by region. | Other names or terms mentioned may be the trademarks or registered trademarks of their respective owners.

