



powered by  
**webOS Hub**

#### Modular, flexible, unique

The alphatronics S-Line separates the technology from the display for maximum installation flexibility. Just one cable to the panel, easy maintenance, an expandable S-Box and variable cable lengths – the smart solution for modern vehicle integration.

#### webOS Hub (next generation)

Experience television in a whole new way – with the latest generation of webOS Hub. Enjoy smart premium features such as PVR recording, timeshift, Apple AirPlay 2 and Matter support. State-of-the-art entertainment, perfectly connected – in outstanding alphatronics quality.

#### Apple AirPlay & HomeKit

With alphatronics, you can unleash the full potential of your Apple ecosystem. Stream content in the best quality with Apple AirPlay 2 and conveniently control your smart home via Apple HomeKit. For maximum comfort and first-class entertainment.

#### Television on your schedule

With PVR recording and timeshift, you can enjoy maximum freedom: save your favourite programmes, pause live TV, rewind or fast forward. This allows you to enjoy television flexibly, conveniently and entirely according to your wishes – ready whenever you are.

MODEL	S32W	
IMAGE	Screen size	32" / 80 cm
	Type of display	LED wide screen display
	Picture format (widescreen)	16:9 Widescreen
	Viewing angle	178° (H) / 178° (V)
	Resolution	1920 x 1080 / Full-HD
	Contrast ratio	3000:1
	Brightness value	250 cd/m <sup>2</sup>
	Response time	< 5 ms
	Image modes	6
	CIS (Color Improvement System)	•
	SOUND	Music output (RMS)
Integrated speaker		-
Stereo sound		•
alphatronicsAUDIO+		•
Sound modes		5
BLUETOOTH®	Bluetooth® version	5.0
	Bluetooth® range	30 m
	Bluetooth® surround	•
	Playback direction (transmitter & receiver)	•
RECEPTION	Integrated triple tuner (DVB-S/S2 + DVB-T/T2 + DVB-C)	•
	Video encoding	MPEG-2 / MPEG-4
	HEVC standards	H.264 / H.265
RECEPTION (SAT)	CI+ module slot	• / Version 1.4
	HbbTV	•
	Automatic station scan	•
	Country-specific channel lists	•
	Fast scan	•
	LCN (Logical Channel Numbering)	•
	Electronic Program Guide (EPG)	•
	Signal quality indication (DVB-S/S2)	•
	Teletext (TOP system)	•
	PROGRAM MEMORY	Favorite list
max. stations: DVB-T/C		500
max. stations: DVB-S2		4000
PVR	PVR function unlocked	•
	Timeshift	•
	EPG / Timer recording	• / •
	Integrated hard disk storage	-
	Supported storage (via SSD)	max. 1 TB
PLAYBACK	Integrated DVD player	-
	DVD formats (CD, DVD, VCD, MP3, DVD-R, DVD-RW, DivX, JPEG)	-
	Integrated media player	•
PORTS	F-connection (SAT)	•
	IEC connector (antenna)	•
	HDMI™ socket	2x
	HDMI™: ARC / CEC support	• / •
	AV IN / AV OUT	• / -
	Headphone output (3.5 mm)	•
	Toslink / SPDIF (Optical)	•
	RCA IN (Audio/Video)	-
	Digital Coaxial OUT	-
	USB socket (2.0 standard) / Output (mA)	2x / 1A (max.)
	NETWORK	Dual band WiFi (2.4 GHz / 5 GHz)
External Wifi antenna		•
RJ45 (LAN)		•
SMART	SMART platform	webOS Hub 2.0S
	Netrange	-
	APP Store	Content Store

**Perfect picture**


Enjoy the highest picture quality with an ultra-wide 178° viewing angle, pixel error class 0 and a matt, glare-free surface. Whether in sunlight or shade, you can always enjoy a flawless, brilliant TV picture for perfect viewing pleasure.

**Experience that convinces**

Every alphatronics TV embodies 25 years of experience and innovative strength. With the 'German Quality - Since 1999' seal, our devices stand for exceptional reliability, state-of-the-art technology and the highest quality standards - entertainment you can trust.

**Built for extremes**

alphatronics TVs are made for every extreme: rigorous vibration and climate testing guarantees reliable performance in the freezing cold of the North Cape or the scorching heat of the desert. So you can enjoy perfect performance at all times - anywhere and under any conditions.

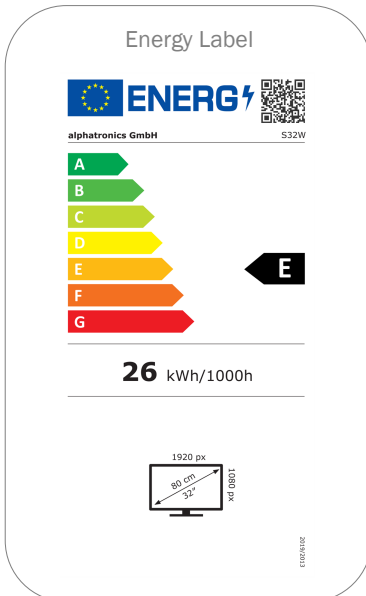
MODEL	S32W	
UPDATE	OTA (Over The Air) update	•
	Manual update via USB	-
POWER SUPPLY	Input voltage	10,5 - 30 V DC
	On/off switch	•
	Power consumption kWh/1000h	26
	Power consumption standby	< 0.5 W
	Energy efficiency class	E
	EPREL registration number	1777705
FEATURES	Sleep timer	•
	Multilingual OSD menu	•
	Parental control	•
	LG Channels / LG Fitness	• / •
	Smart Home: Matter IoT	•
	Apple AirPlay / HomeKit	• / •
	PROTECTION	Corrosion protected electronics
	Overtoltage protection	•
	Reverse polarity protection	•
GENERAL	Dimensions with base (W x H x D)	-
	Dimensions without base (W x H x D)	290 x 30 x 235 mm
	Weight (with/without base in kg)	- / 2.65 kg
	Housing color	black powder-coated
	VESA standard	-
	Repairability Index (France)	 <b>6,6</b> INDICE DE RÉPARABILITÉ
APPROVALS	CE, UKCA, ECE-R10 (E57*10R06/02*0850)	
EAN CODE	Product ID	S32W
	Internal item number	991003
	EAN	4260037135281

**ACCESSORIES**

TV set, remote control, DVB-T2 aerial (AN5), 12 cigarette lighter cable (ProCar), mounting accessories, operating instructions I Note! The included accessories may vary slightly depending on the region, dealer or equipment variant.



**Energy Label**



ENERGY

alphatronics GmbH S32W

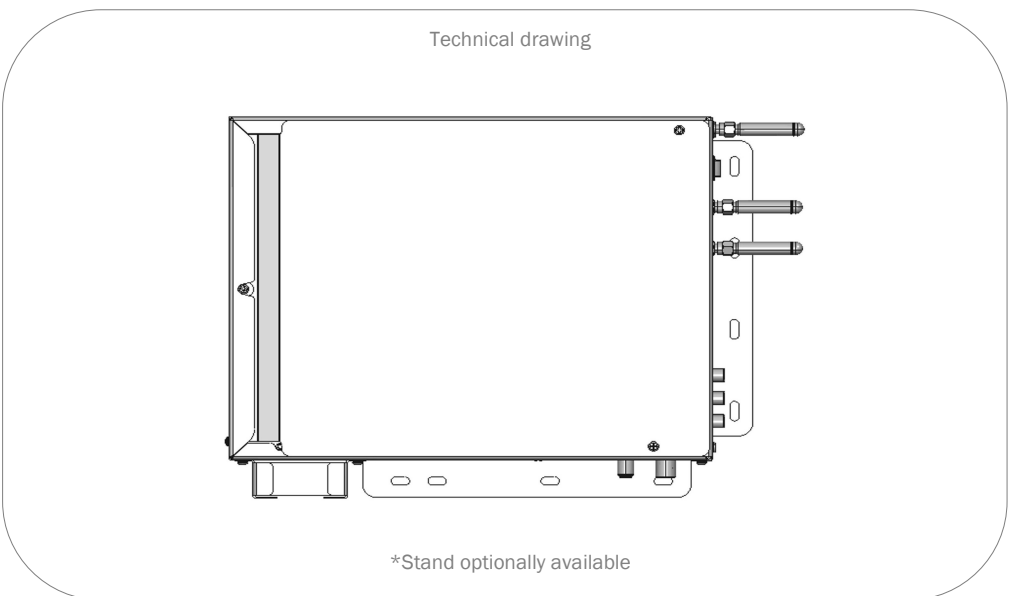
A B C D E F G

**26 kWh/1000h**

1920 px  
80 cm  
32"  
4000 BTU

ENERGIE

**Technical drawing**



\*Stand optionally available

**LEGAL INFORMATION**

webOS Hub and ThinQ are trademarks of LG Electronics Inc. | Google, YouTube, other marks are trademarks of Google LLC. | Apple, AirPlay, Apple Home and HomeKit are trademarks of Apple Inc. registered in the U.S. and other countries and regions. | The Bluetooth® word mark and logos are registered trademarks owned by Bluetooth SIG, Inc. and any use of such marks by alphatronics is under license. | The terms HDMI, HDMI High-Definition Multimedia Interface, HDMI trade dress and the HDMI Logos are trademarks or registered trademarks of HDMI Licensing Administrator, Inc. | Accessories may vary depending on the region, dealer or trim level. | Streaming services and apps are subject to change or discontinuation without notice. | Streaming service availability varies by region. | Other names or terms mentioned may be the trademarks or registered trademarks of their respective owners.

