



powered by  
**webOS Hub**

#### Getting started with streaming

The K-line is your perfect introduction to the world of streaming: tried-and-tested features, a robust housing and high-quality entertainment. Without a DVD player, there is room for state-of-the-art technology - for flexible, contemporary and long-lasting TV enjoyment.

#### New platform

webOS Hub is the new powerful operating system for our televisions: a clear user interface, fast response times and versatile functions ensure maximum convenience. Thanks to intuitive navigation and flexible customisation, you can experience modern TV entertainment at the highest level.

#### Smart control via app

Control your alphatronics TV conveniently with the LG ThinQ app. Use the virtual remote control directly on your smartphone and transfer images or videos wirelessly in the best quality. For maximum flexibility, intuitive operation and a modern user experience.

#### Content Store

With webOS Hub, discover the new content store with perfectly optimised apps in the best resolution. Regular updates ensure stability and innovation. Netflix, Amazon Prime Video and Disney+ are directly integrated - for unlimited streaming enjoyment.

MODEL	K19SBWPLUS		
IMAGE	Screen size	19" / 47 cm	
	Type of display	LED wide screen display	
	Picture format (widescreen)	16:09	
	Viewing angle	178° (H) / 178° (V)	
	Resolution	1366 x 768 / HD-Ready	
	Contrast ratio	3000:1	
	Brightness value	300 cd/m <sup>2</sup>	
	Response time	< 5 ms	
	Image modes	6	
	CIS (Color Improvement System)	-	
	SOUND	Music output (RMS)	2 x 5 W
Integrated speaker		•	
Stereo sound		•	
alphatronicsAUDIO+		-	
Sound modes		5	
BLUETOOTH®	Bluetooth® version	5.0	
	Bluetooth® range	30 m	
	Bluetooth® surround	-	
	Playback direction (transmitter & receiver)	•	
RECEPTION	Integrated triple tuner (DVB-S/S2 + DVB-T/T2 + DVB-C)	•	
	Video encoding	MPEG-2 / MPEG-4	
	HEVC standards	H.264 / H.265	
RECEPTION (SAT)	CI+ module slot	• / Version 1.4	
	HbbTV	•	
	Automatic station scan	•	
	Country-specific channel lists	•	
	Fast scan	•	
	LCN (Logical Channel Numbering)	•	
	Electronic Program Guide (EPG)	•	
	Signal quality indication (DVB-S/S2)	•	
	Teletext (TOP system)	•	
	PROGRAM MEMORY	Favorite list	•
		max. stations: DVB-T/C	500
max. stations: DVB-S2		4000	
PVR	PVR function unlocked	-	
	Timeshift	-	
	EPG / Timer recording	- / -	
	Integrated hard disk storage	-	
	Supported storage (via SSD)	-	
PLAYBACK	Integrated DVD player	-	
	DVD formats (CD, DVD, VCD, MP3, DVD-R, DVD-RW, DivX, JPEG)	-	
	Integrated media player	•	
PORTS	F-connection (SAT)	•	
	IEC connector (antenna)	•	
	HDMI™ socket	2x	
	HDMI™: ARC / CEC support	• / •	
	AV IN / AV OUT	• / -	
	Headphone output (3.5 mm)	•	
	Toslink / SPDIF (Optical)	•	
	RCA IN (Audio/Video)	-	
	Digital Coaxial OUT	-	
	USB socket (2.0 standard) / Output (mA)	2x / 1A (max.)	
	NETWORK	Dual band WiFi (2.4 GHz / 5 GHz)	• / •
External Wifi antenna		-	
RJ45 (LAN)		•	
SMART	SMART platform	webOS Hub 2.0	
	Netrange	-	
	APP Store	Content Store	

Perfect picture


Enjoy the highest picture quality with an ultra-wide 178° viewing angle, pixel error class 0 and a matt, glare-free surface. Whether in sunlight or shade, you can always enjoy a flawless, brilliant TV picture for perfect viewing pleasure.

Experience that convinces

Every alphatronics TV embodies 25 years of experience and innovative strength. With the 'German Quality - Since 1999' seal, our devices stand for exceptional reliability, state-of-the-art technology and the highest quality standards - entertainment you can trust.

Built for extremes

alphatronics TVs are made for every extreme: rigorous vibration and climate testing guarantees reliable performance in the freezing cold of the North Cape or the scorching heat of the desert. So you can enjoy perfect performance at all times - anywhere and under any conditions.

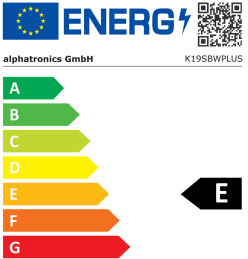
MODEL	K19SBWPLUS	
UPDATE	OTA (Over The Air) update	•
	Manual update via USB	-
POWER SUPPLY	Input voltage	10.5 - 30 V DC
	On/off switch	•
	Power consumption kWh/1000h	13
	Power consumption standby	< 0.5 W
	Energy efficiency class	E
	EPREL registration number	1374802
FEATURES	Sleep timer	•
	Multilingual OSD menu	•
	Parental control	•
	LG Channels / LG Fitness	• / -
	Smart Home: Matter IoT	-
	Apple AirPlay / HomeKit	- / -
	Corrosion protected electronics	•
PROTECTION	Overvoltage protection	•
	Reverse polarity protection	•
	Repairability Index (France)	 <b>6,2</b> INDICE DE RÉPARABILITÉ
GENERAL	Dimensions with base (W x H x D)	439 x 302 x 175 mm
	Dimensions without base (W x H x D)	439 x 262 x 54 mm
	Weight (with/without base in kg)	2.80 kg / 2.60 kg
	Housing color	brushed anthracite
	VESA standard	100 x 100 mm
APPROVALS	CE, UKCA, ECE-R10 (E24*10R06/02*4762*00)	
EAN CODE	Product ID	K19SBWPLUS
	Internal item number	990761
	EAN	4260037134291

ACCESSORIES

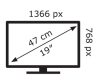
TV set, remote control, DVB-T2 aerial (AN5), 12 cigarette lighter cable (ProCar), mounting accessories, operating instructions | Note! The included accessories may vary slightly depending on the region, dealer or equipment variant.



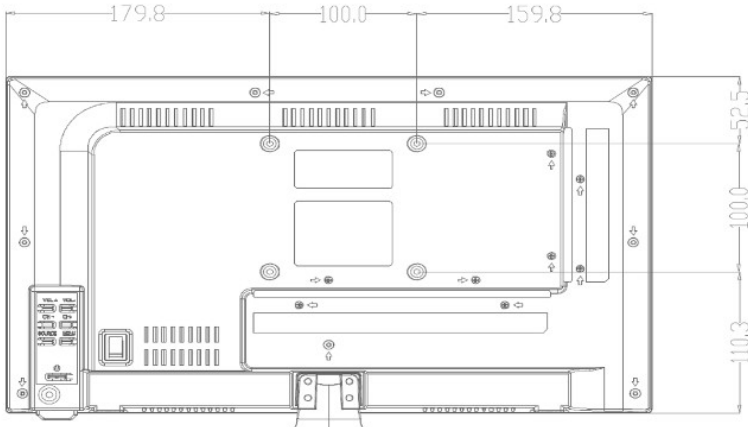
Energy Label



13 kWh/1000h



Technical drawing



\*Stand optionally available

LEGAL INFORMATION

webOS Hub and ThinQ are trademarks of LG Electronics Inc. | Google, YouTube, other marks are trademarks of Google LLC. | Apple, AirPlay, Apple Home and HomeKit are trademarks of Apple Inc. registered in the U.S. and other countries and regions. | The Bluetooth® word mark and logos are registered trademarks owned by Bluetooth SIG, Inc. and any use of such marks by alphatronics is under license. | The terms HDMI, HDMI High-Definition Multimedia Interface, HDMI trade dress and the HDMI Logos are trademarks or registered trademarks of HDMI Licensing Administrator, Inc. | Accessories may vary depending on the region, dealer or trim level. | Streaming services and apps are subject to change or discontinuation without notice. | Streaming service availability varies by region. | Other names or terms mentioned may be the trademarks or registered trademarks of their respective owners.

