

Discover the advantages of our SLIM MOUNT line, the perfect wall mount solution for your TV!



FEATURE 1

Modularity at the highest level

Our fully modular SLIM MOUNT line offers you maximum flexibility and adaptability. By using identical base plates for the wall and TV side, the system can be adapted to future requirements at any time. Instead of having to replace the entire system, you can simply retrofit individual components and flexibly adapt your model. This innovative modularity guarantees a future-proof solution and enables you to always be prepared for changes.



FEATURE 2

Developed in Germany

The innovative concept of the SLIM MOUNT line was developed and extensively tested in close collaboration with local partners, leading vehicle manufacturers and with the valuable feedback from our customers. To preserve the unique character of this line, we have protected it by patents and utility models. This way, we not only guarantee you the highest quality, but also an exclusive product that impresses with its technical sophistication and uniqueness.



FEATURE 3

Ultra-flat mounting

The SLIM MOUNT line enables an especially flat wall mounting of your TV sets. With a minimal installation height, the BASE version ensures a wall distance of only 15 mm when closed, while the fold-out models offer a distance of just 30 mm. This ultra-flat construction guarantees an elegant and seamless appearance on your wall, without sacrificing functionality and stability.



FEATURE 4

Universally applicable

Our base plate is suitable for all 19- to 40-inch TV sets thanks to the VESA 100 x 100 and 200 x 100 standards. The flexible arrangement of the mounting holes allows for precise alignment so that no parts of the base plate remain visible. This ensures a flawless appearance and seamless integration of your TV set – for a perfect look in any environment.



FEATURE 5

Flexibility of the locking lever

Our innovative design of the fold-out wall brackets allows the locking levers to be mounted facing both up and down. This means that the locking mechanism is always easily accessible, regardless of the installation situation. This flexibility ensures convenient handling and a secure hold, no matter how the bracket is mounted.

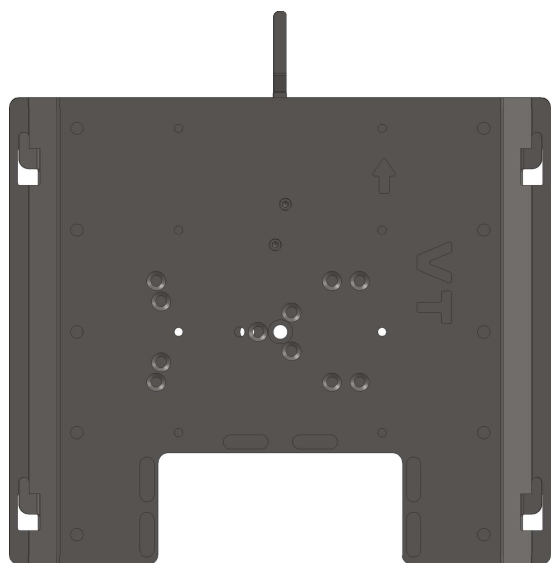


FEATURE 6

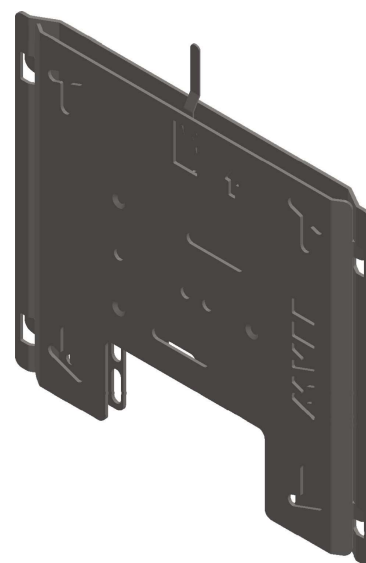
A new take on the swivel mechanism

Our customers wanted it, and we have perfected it: the new swivel mechanism allows you to turn your TV from the vertical position to the perfect operating angle in no time at all. But we have gone one step further. Thanks to the unique gear ring design we developed, you can adjust the angle of your screen to the exact degree – ideal if your vehicle is not level or slight corrections are needed after an extension. This precision and flexibility sets new standards, while other models only work with limited end stops. With our design, you are perfectly prepared for any situation – this is innovation that we are particularly proud of!

SLIM MOUNT BASE1 (standard safety lever)



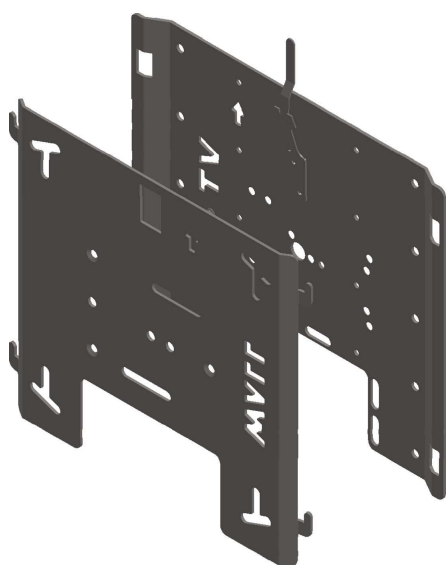
Front view with VESA 100 x 100 and 200 x 100 mm



Side view with short (40 mm) safety lever



Bottom view of wall bracket (wall clearance 15 mm)

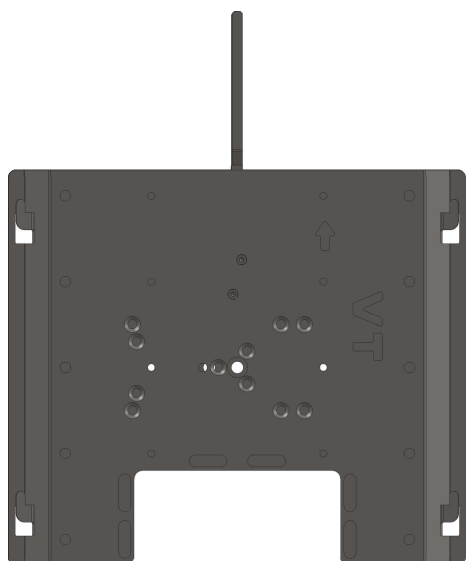


3D view

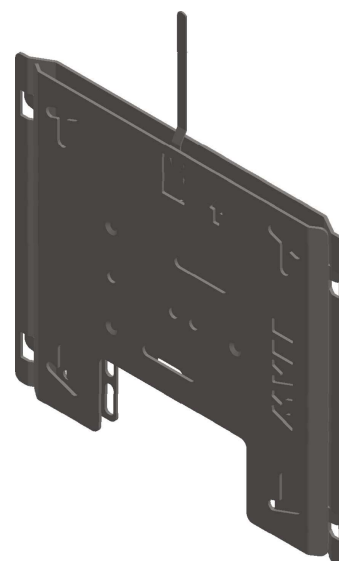
Model	SLIM MOUNT BASE1
VESA standard	100 x 100 mm 200 x 100 mm
recommended TV size	19 - 27 Zoll
Max. screen diagonal (inches)	40 Zoll
Max. screen diagonal (inches)	100 cm
Max. load capacity	20 kg
Mobility	-
Release lever	Ja
Length of release lever	40 mm ab Oberkante
Distance to wall	15 mm
Dimensions	265 x 230 x 15 mm
Weight	1.60 kg

EAN CODE	
Product ID	SLIM MOUNT BASE1
Internal article number	991498
EAN	4260037135939

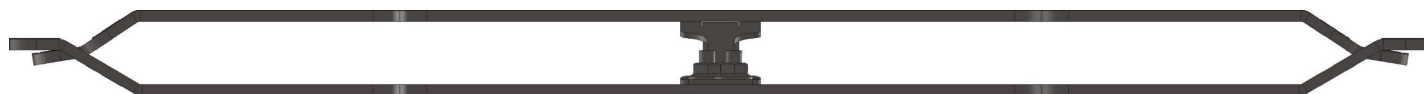
SLIM MOUNT BASE2 (extended safety lever)



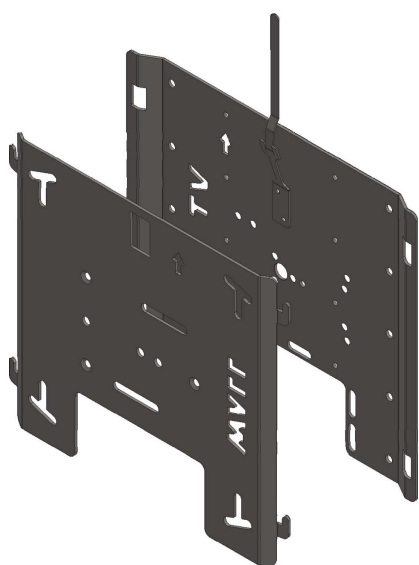
Front view with VESA 100 x 100 and 200 x 100 mm



Side view with long (90 mm) safety lever



Bottom view of wall bracket (wall clearance 15 mm)

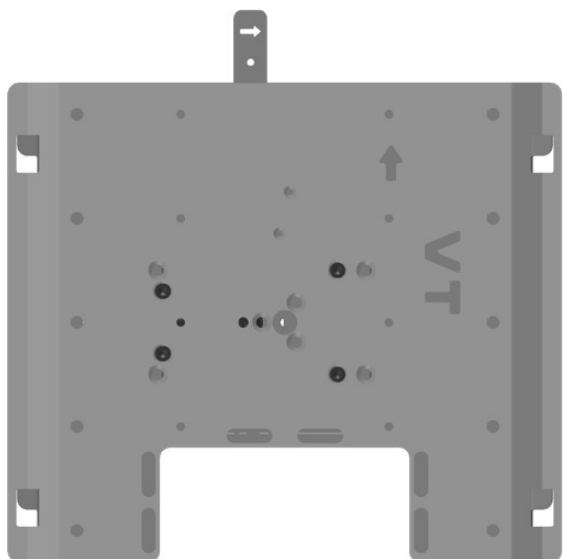


3D view

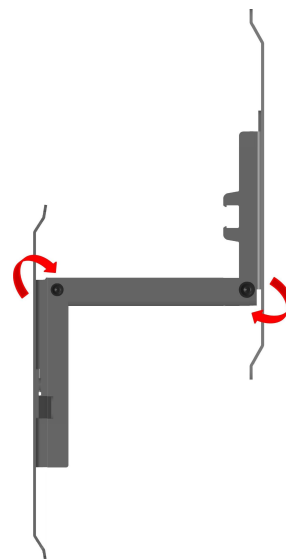
Model	SLIM MOUNT BASE2
VESA standard	100 x 100 mm 200 x 100 mm
recommended TV size	27-40 Zoll
Max. screen diagonal (inches)	40 Zoll
Max. screen diagonal (inches)	100 cm
Max. load capacity	20 kg
Mobility	-
Release lever	Ja
Length of release lever	90 mm ab Oberkante
Distance to wall	15 mm
Dimensions	265 x 230 x 15 mm
Weight	1.60 kg

EAN CODE	
Product ID	SLIM MOUNT BASE2
Internal article number	991499
EAN	4260037135946

SLIM MOUNT 160



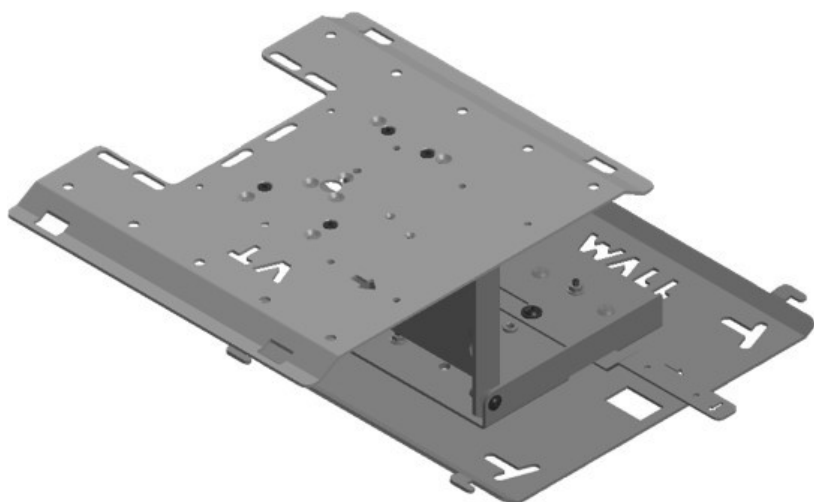
Front view with VESA 100 x 100 and 200 x 100 mm



Maximum extension 165 mm with 2 pivot points



Bottom view of wall bracket (wall clearance 30 mm)

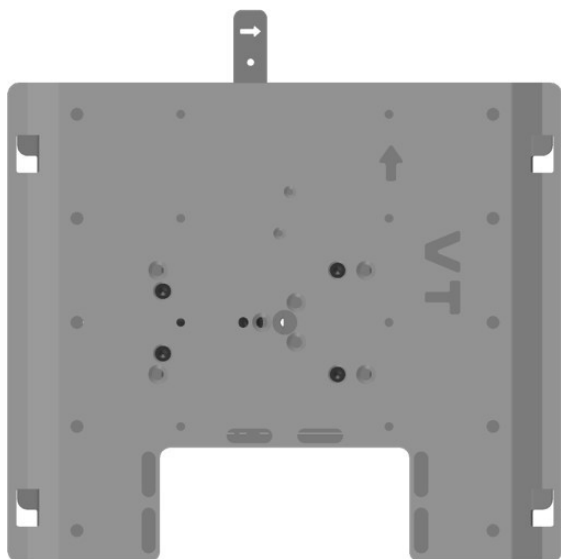


unfolded 3D view

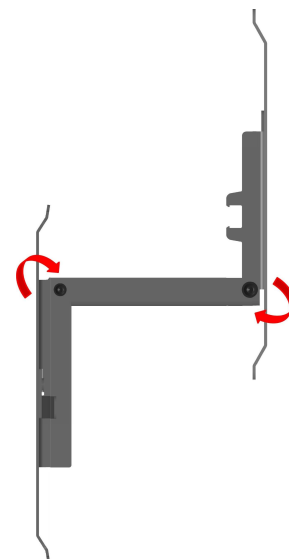
Model	SLIM MOUNT 160
VESA standard	100 x 100 mm 200 x 100 mm
recommended TV size	19-40 Zoll
Max. screen diagonal (inches)	40 Zoll
Max. screen diagonal (inches)	100 cm
Max. load capacity	12 kg
Mobility	Auszug (2-Gelenke)
Release lever	Ja
Length of release lever	35 mm ab Oberkante (verlängerbar)
Distance to wall	30 - 165 mm
Dimensions	265 x 230 x 30 mm
Weight	2.50 kg

EAN CODE	
Product ID	SLIM MOUNT 160
Internal article number	991500
EAN	4260037135953

SLIM MOUNT 160 ROTATION



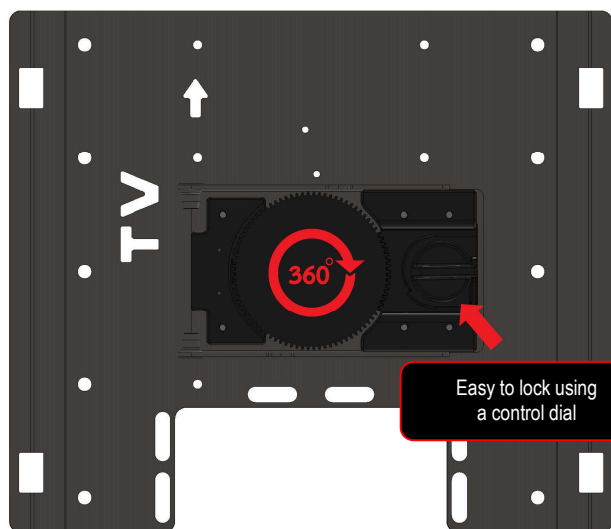
Front view with VESA 100 x 100 and 200 x 100 mm



Maximum extension 165 mm with 2 pivot points



Bottom view of wall bracket (wall clearance 30 mm)



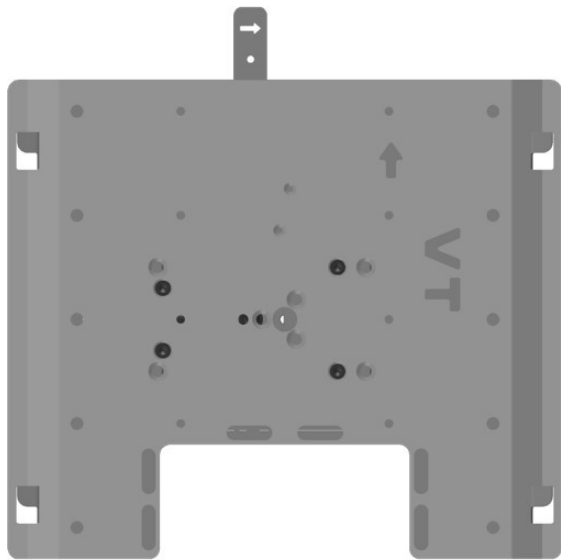
Easy to lock using a control dial

Interior view with integrated twisting mechanism (patented mechanism)

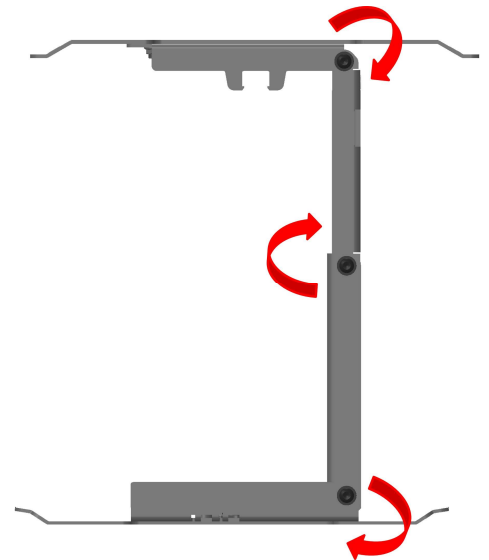
Model	SLIM MOUNT 160 ROTATION
VESA standard	100 x 100 mm 200 x 100 mm
recommended TV size	19-40 Zoll
Max. screen diagonal (inches)	40 Zoll
Max. screen diagonal (inches)	100 cm
Max. load capacity	12 kg
Mobility	Auszug (2-Gelenke) & 360° Drehung
Release lever	Ja
Length of release lever	35 mm ab Oberkante (verlängerbar)
Distance to wall	30 - 165 mm
Dimensions	265 x 230 x 30 mm
Weight	2.65 kg

EAN CODE	
Product ID	SLIM MOUNT 160 ROTATION
Internal article number	991501
EAN	4260037135960

SLIM MOUNT 290



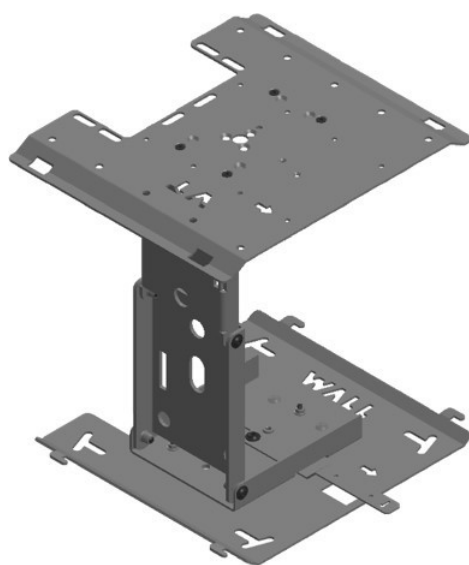
Front view with VESA 100 x 100 and 200 x 100 mm



Maximum extension 285 mm with 3 pivot points



Bottom view of wall bracket (wall clearance 30 mm)

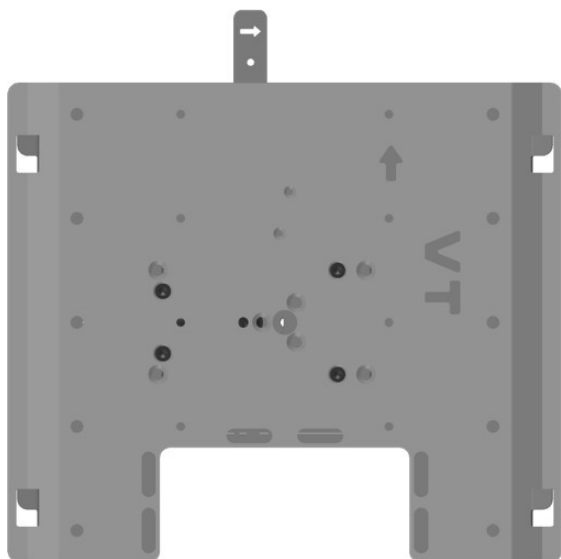


unfolded 3D view

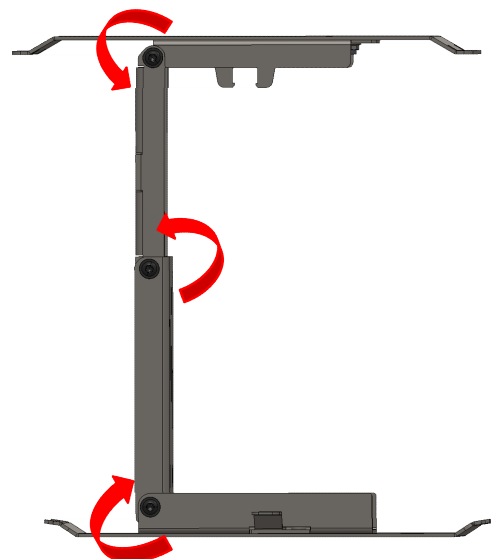
Model	Slim Mount 290
VESA standard	100 x 100 mm 200 x 100 mm
recommended TV size	19-40 Zoll
Max. screen diagonal (inches)	40 Zoll
Max. screen diagonal (inches)	100 cm
Max. load capacity	12 kg
Mobility	Auszug (3-Gelenke)
Release lever	Ja
Length of release lever	35 mm ab Oberkante (verlängerbar)
Distance to wall	30 - 285 mm
Dimensions	265 x 230 x 30 mm
Weight	2.80 kg

EAN CODE	
Product ID	SLIM MOUNT 290
Internal article number	991502
EAN	4260037135977

SLIM MOUNT 290 ROTATION



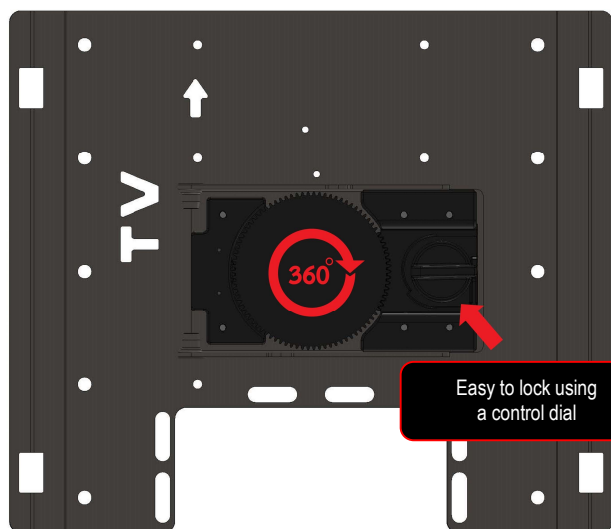
Front view with VESA 100 x 100 and 200 x 100 mm



Maximum extension 285 mm with 3 pivot points



Bottom view of wall bracket (wall clearance 30 mm)



Easy to lock using a control dial

Interior view with integrated twisting mechanism (patented mechanism)

Model	Slim Mount 290 Rotation
VESA standard	100 x 100 mm 200 x 100 mm
recommended TV size	19-40 Zoll
Max. screen diagonal (inches)	40 Zoll
Max. screen diagonal (inches)	100 cm
Max. load capacity	12 kg
Mobility	Auszug (3-Gelenke) & 360° Drehung
Release lever	Ja
Length of release lever	35 mm ab Oberkante (verlängerbar)
Distance to wall	30 - 285 mm
Dimensions	265 x 230 x 30 mm
Weight	2.95 kg

EAN CODE	
Product ID	SLIM MOUNT 290 ROTATION
Internal article number	991503
EAN	4260037135984