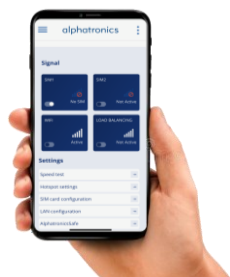


5G high-performance antenna (MiMo) from Panorama Antennas for perfect reception



Close cooperation

What do you get when 3 brands with different expertise from different sectors join forces and develop a joint product? That's right! alphatronics STREAM - Internet anytime, anywhere!

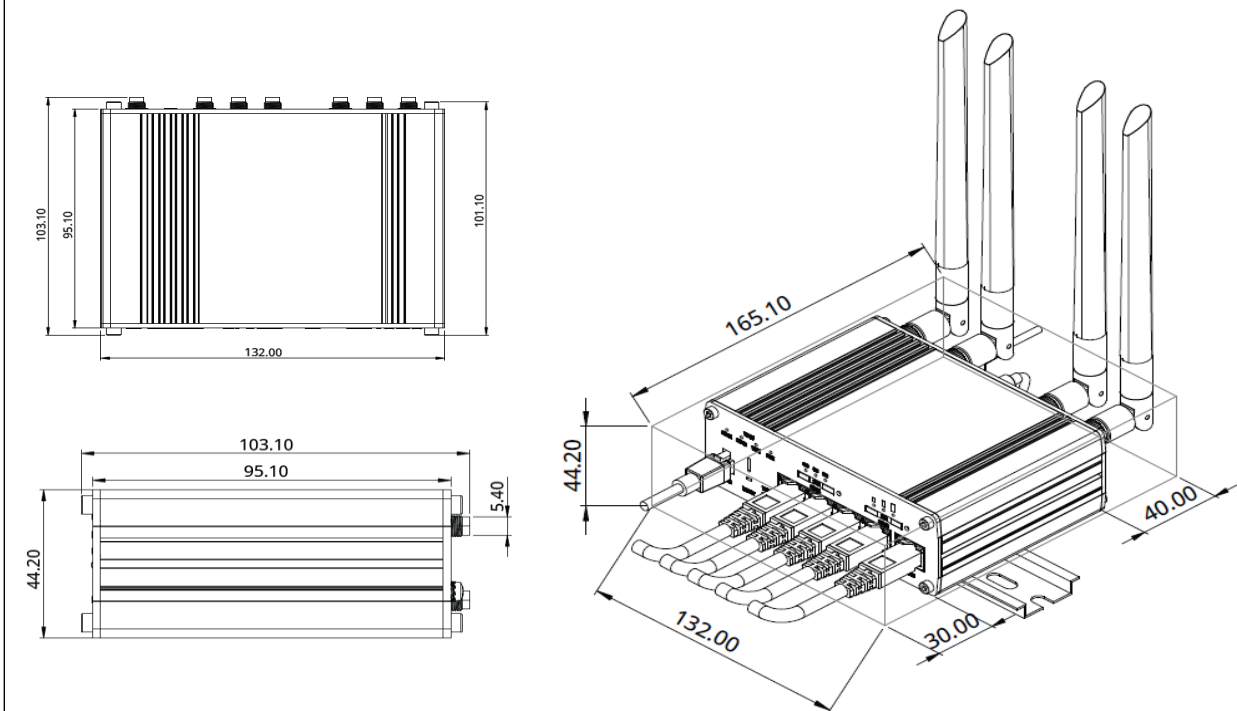


alphatronics UI

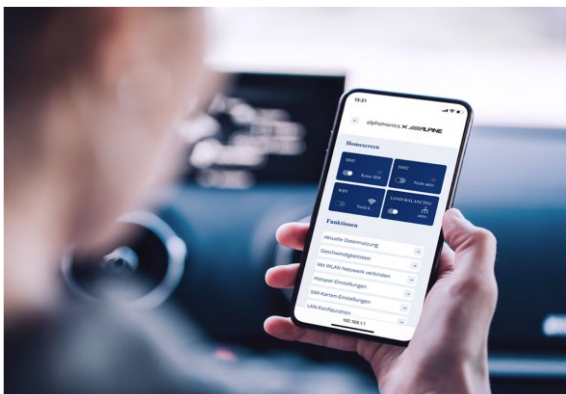
Technology can sometimes be complicated. To ensure that the product is easy to use, we worked with alpine to fine-tune the user interface. This resulted in the alphatronics UI, which provides the user with a simple and smartphone-friendly interface for operating the most important functions.

Model	alphatronics STREAM 5G PRO	
MOBIL	Number of SIM lots	2x
	Mobile communication standards	5G Sub - 6 GHz SA/NSA 2.1/3.3 Gbps DL (4x4 MIMO), 900/600 Mbps UL (2x2); 4G (LTE) - LTE Cat 20 2.0 Gbps DL, 200 Mbps UL, 3G - 42 Mbps DL, 5.76 Mbps UL
	Regions	Europe, Middle East, Africa, Oceania
	Supported cellular bands	5G NR NSA: n1, n3, n5, n7, n8, n20, n28, n38, n40, n41, n77 5G NR SA: n1, n3, n5, n7, n8, n20, n28, n38, n40, n41, n77, n78 4G (LTE-FDD): B1, B3, B5, B7, B8, B20, B28, B32 4G (LTE-TDD): B38, B40, B41, B42, B43 3G: B1, B5, B8
	Auto APN (automatic configuration)	•
	Adjustable automatic switching at low Singal (SIM1 & SIM2)	•
NETWORK (WIFI)	WIFI Mode	2.4 GHz & 5.0 GHz (IEEE 802.11b/g/n/ac) Access Point (AP), Station (STA)
	Number of WIFI participants	up to 150 pieces
	Encryption	WPA2-Enterprise - PEAP, WPA2-PSK, WEP, WPA-EAP, WPA-PSK; AES-CCMP TKIP, Auto Cipher, Client Separation
	SSID	ESSID stealth mode, access control based on the MAC address
	Browser forwarding when logging on to foreign WIFI networks (public networks, campsites)	•
	NETWORK (ETHERNET)	LAN
WAN		1x WAN port 10/100 Mbps, compliance IEEE 802.3u, 802.3az standards, supports auto MDI/MDIX
NETWORK (GENERAL)	Routing	Static routing, dynamic routing (BGP, OSPF v2, RIP v1/v2, EIGRP, NHRP), policy-based routing
	Network protocols	TCP, UDP, IPv4, IPv6, ICMP, NTP, DNS, HTTP, HTTPS, SFTP, FTP, SMTP, SSL/TLS, ARP, VRRP, PPP, PPPoE, UPNP, SSH, DHCP, Telnet, SMPP, SNMP, MQTT, Wake On Lan (WOL)
	VoIP passthrough support	•
	Connection monitoring	Ping restart, Wget restart, periodic restart, LCP and ICMP for connection monitoring
SECURITY	Firewall	Port forwarding, access rules, User-defined rules
	DHCP	Static and dynamic IP assignment, DHCP relay
	alphatronicsSafe	•
INTERFACE	Protection against external attacks	DDoS protection (SYN flood protection, protection against against SSH attacks, protection against HTTP/HTTPS attacks, protection against port scans (SYN-FIN, SYN-RST, X-mas, NULL flags, FIN scan attacks)
	Data control (consumption)	•
	User interface	alphatronics UI (web-based)
Operating system	Teltonika RutOS	
Languages	multilingual	

Technical dimensions (router)



The features summarised



Control and configure your router via smartphone or tablet

The user interface of all STREAM models is designed so that you can open it conveniently via your smartphone, tablet or laptop browser. This offers you maximum flexibility, as no additional apps need to be installed on your devices.

Keep an eye on your data consumption

You can easily keep track of the data consumption of one or both SIM cards and even set the data limit for each SIM card. When the limit is reached, the router automatically becomes inactive or switches to the other card, depending on the default setting. This function is useful to avoid additional charges, especially with prepaid cards or when using the device abroad.

Connect to local or public WLAN networks

All alphatronics STREAM routers offer the option of connecting to local or public networks. An important function here is the forwarding of the network to a browser, for example for entering passwords or accepting terms of use. This helps to significantly reduce the data consumption of the SIM card and relieve its load.

The alphatronics STREAM 5G router is the latest model in the alphatronics STREAM family and offers you the best possible download speed that can currently be realised via a SIM card. The router is specially designed for 5G reception and can download data at a speed of up to 3000 MBit/s per second. Thanks to backwards compatibility (or in the event of insufficient 5G reception), data can alternatively be downloaded at up to 2000 MBit/s via the 4G LTE network (CAT20). Since the external antenna plays a decisive role in performance, especially in the 5G sector, the 3-in-1 antenna (4x LTE, 2x WiFi and 1x GPS) was developed in close cooperation with Panorama Antennas, the market leader in antenna technology based in Germany!

The most important features at a glance:

- Speed (download) up to 3000 MBit/s in the 5G network!
- For everyone who needs maximum speed on the move
- Designed for both 5G networks and 4G (LTE) networks
- Intuitive operation thanks to the alphatronics web app
- High-performance outdoor antenna
- Automotive certified product
- Regular updates